

Installation Manual for the Flexible Joint (Flange Connection)

Z-3000



Installation Procedure

1. Before installation

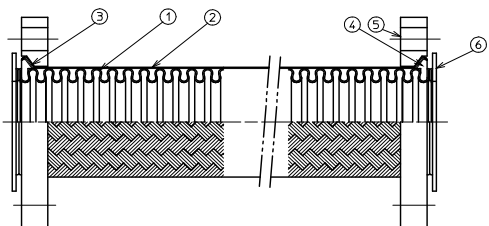


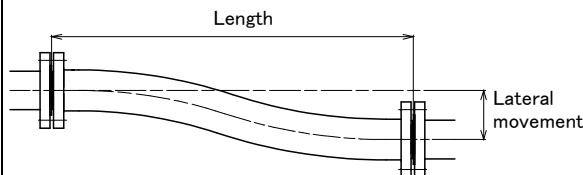
Table1 Parts List

No.	Name	Material
1	Bellows	Stainless steel 304
2	Braid	Stainless steel 304
3	Ring cover	Stainless steel 304
4	Split ring	Forged steel
5	Loose flange	Carbon steel
6	Gasket	Joint sheet without asbestos

- Please confirm whether the diameter is correct.
- Please confirm whether there is any damage of sealing surface.

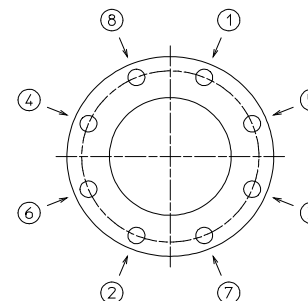
2. Installation

- ① Install between the piping flanges not to move the gasket from the sealing surface and so as not to damage the sealing surface.
⚠ Please use our genuine gaskets when you connect it.
- ② Insert the set bolt toward the piping side from the product side.
- ③ Confirm whether the lateral movement of piping is within the allowable range.



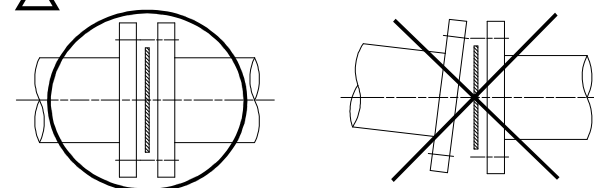
3. Tightening of the bolts

The order of bolt tightening.



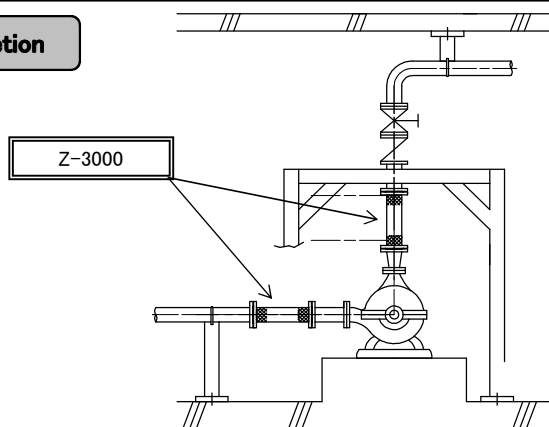
- ① Tighten the bolts diagonally and equally.
- ② Tighten the opposite side of flange with same way.
- ③ When you use the bolt and nut made of stainless steel, please apply lubrication.

⚠ Please confirm whether the flange face is parallel before tightening.



※ The sealing surface of this product forms by 2 layers of compressed bellows. Note that too much tightening and/or uneven tightening of bolts might cause leakage.

Completion



NOTES

- 1) Where the water hammer generate in the piping system, the flexible joint might be damaged. Take appropriate impact prevention measures.
- 2) Carry out the welding work of the piping before installing the flexible joint. If you have to carry out the welding work after installing the flexible joint, take ground the welding electricity, also put a protective cover around the flexible joint so that the welding current does not flow into the piping system.
- 3) Please select the pipe size not to exceed 3m/s of flow velocity. (inside diameter base)

- 4) In case of corrosive fluid for stainless steel, ZTF series products (fluoro-resin bellows) are recommended
- 5) Non asbestos joint gasket is normally attached on sealing face. not applied for steam line. Please use our genuine gaskets. (Spiral wound gasket)

6) Tightening Torque(recommended)

Size	Torque(N·m)
20A ~ 40A	50 ~ 80
50A ~ 100A	80 ~ 100
125A ~ 150A	140 ~ 180
200A ~ 300A	160 ~ 200